

PART NAME

NEMA 4X ENCLOSURE

PART No.

AN-1317, AN-1317-G, AN-2817 & AN-2817-B

REV. DATE

2-12-04

MATERIAL: ALUMINUM ALLOY #ADC-10

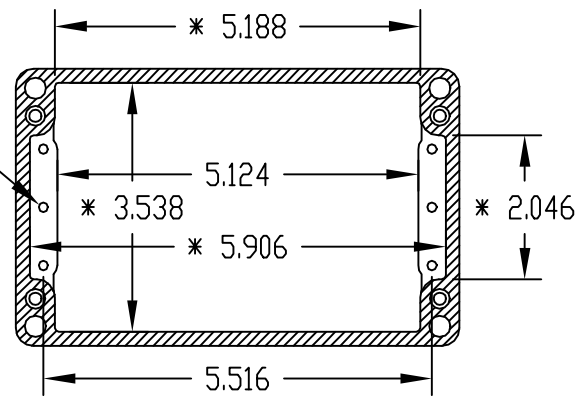
FINISH: NATURAL (NO SUFFIX)
GRAY (SUFFIX -G)
SMOOTH BLACK (SUFFIX -B)

FOUR (4) M4 x 25mm (0.975") LG. SCREWS SUPPLIED FOR ASSEMBLY.

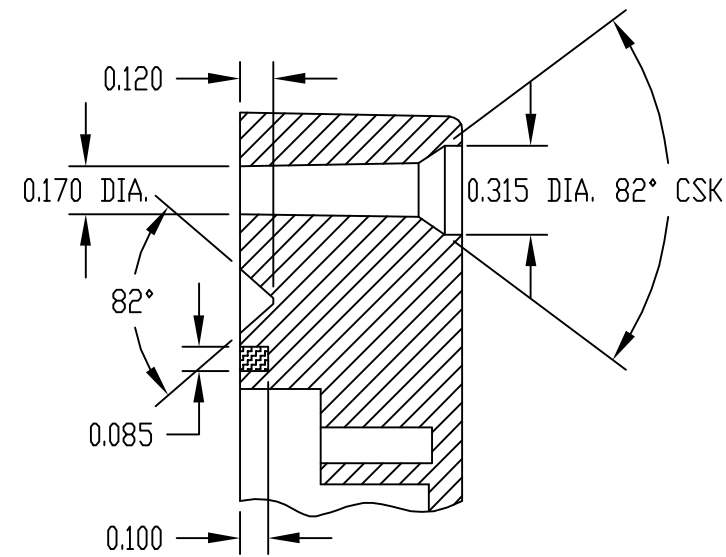
TWO (2) M3.5 x 6mm LG. NICKEL PLATED SCREWS AND WASHERS SUPPLIED FOR GROUNDING

ALL DIMENSIONS HAVE ±0.015 TOLERANCE UNLESS OTHERWISE SPECIFIED

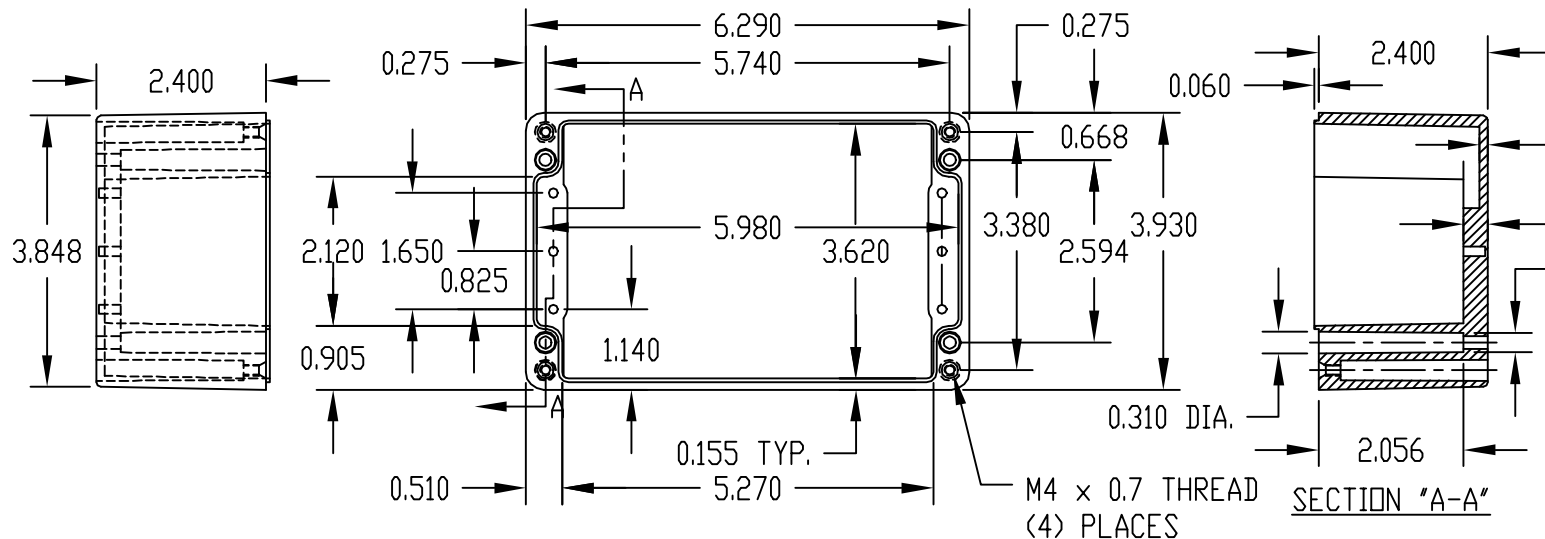
0.136 DIA. x 0.310 DEEP (6) HOLES ACCEPTS EITHER M3.5 METRIC OR #6 STD. SHEET METAL SCREWS x 0.250 LG. (NOT SUPPLIED)



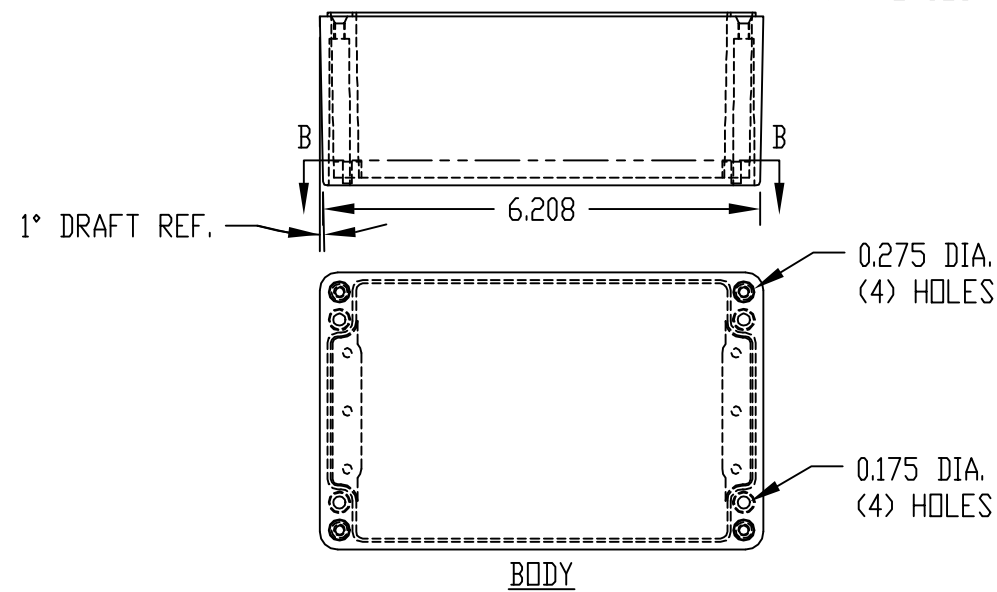
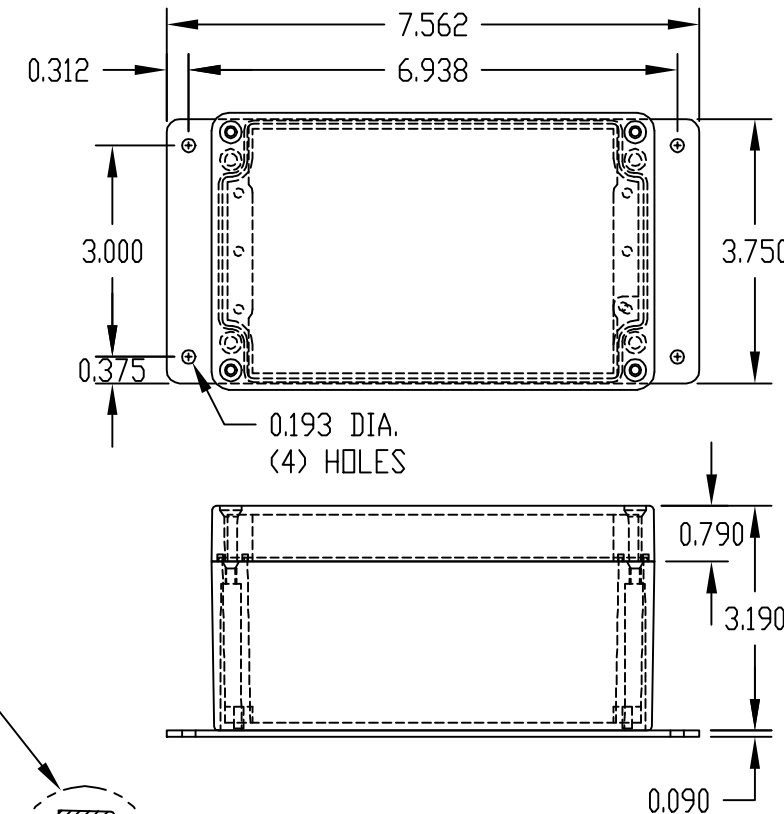
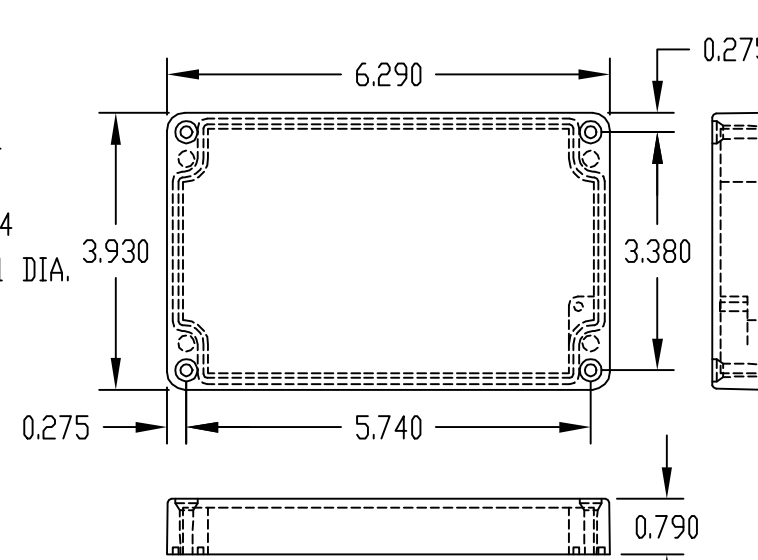
SECTION "B-B"
* DIMENSIONS ARE AT BOTTOM OF ENCLOSURE



DETAIL "D"



SECTION "A-A"



BODY

COVER

SECTION "C-C"

PART NO. AN-2817 & AN-2817-B ARE SUPPLIED WITH A WELDED ON MOUNTING BRACKET ONLY.